

NORTH FACING WINDOWS-SYCAMORE STREET VIEW



SOUTH FACING WINDOW-BACK YARD



WEST FACING-BACKYARD



INTERIOR PHOTOS





893 Eastwind Drive
 Westerville, Ohio 43081
 P: 614.890.6776
 F: 614.890.6704
 mikel@nwd-ohio.com



QUOTE BY: Michael Laparo

QUOTE #: JMRL04970

SOLD TO: Sullivan Builders
 Lynn Sullivan
 6296 Proprietors Road
 Worthington, OH 43085

SHIP TO: 231 E Sycamore
 Columbus, OH

Phone: 614-846-1305

Fax: 614-433-9792

PROJECT NAME:

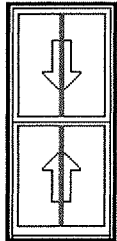
PO#:

REFERENCE:

Ship Via: Ground/Next Truck

LINE NO.	LOCATION SIZE INFO	BOOK CODE DESCRIPTION	QTY
----------	-----------------------	--------------------------	-----

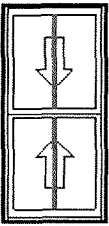
Line-1 Master Suite
 Rough Opening: 30 3/4 X 66 3/4



Viewed from Exterior. Scale: 1/4" = 1'

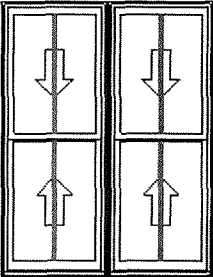
Frame Size : 30 X 66
 (Outside Casing Size: 39 5/8 X 71 11/16),
 Sitaline EX Wood Double Hung, Auralast Pine,
 Primed Exterior,
 Primed Interior,
 5 1/2" Flat Casing, Standard Sill Nosing, Extended Head Casing 1
 Inch, Brilliant White Metal DripCap,
 4 9/16 Jamb,
 Standard Double Hung, White Jambliner,
 Oil Rubbed Bronze Hardware,
 BetterVue Mesh Black Screen
 US National-WDMA/ASTM, PG 35,
 Insulated Low-E Annealed Glass, Argon Filled,
 7/8" Bead SDL w/Perm Wood Trad'l. Bead Int BAR, Primed Wood
 SDL, Light Bronze Shadow Bar, Colonial All Lite(s) 2 Wide 1 High Top
 1 High Btm,
 Custom-Width, *Custom-Height*, GlassThick=0.7095, Clear
 Opening: 26.4w, 29.3h, 5.3 sf
 PEV 2014.2.1.990/PDV 6.023 (06/16/14) NW

LINE NO.	LOCATION SIZE INFO	BOOK CODE DESCRIPTION	QTY
Line-2	Upper Gables **Approximate size Rough Opening: 29 3/4 X 61 3/4	Frame Size : 29 X 61 (Outside Casing Size: 38 5/8 X 66 11/16), Siteline EX Wood Double Hung, Auralast Pine, Primed Exterior, Primed Interior, 5 1/2" Flat Casing, Standard Sill Nosing, Extended Head Casing 1 Inch, Brilliant White Metal DripCap, 4 9/16 Jamb, Standard Double Hung, White Jambliner, Oil Rubbed Bronze Hardware, No Screen, US National-WDMA/ASTM, PG 35, Insulated Low-E Annealed Glass, Neat, Argon Filled, 7/8" Bead SDL w/Perm Wood Trad'l. Bead Int BAR, Primed Wood SDL, Light Bronze Shadow Bar, Colonial All Lite(s) 2 Wide 1 High Top 1 High Btm, *Custom-Width*, *Custom-Height*, GlassThick=0.7095, Clear Opening:25.4w, 26.8h, 4.7 sf PEV 2014.2.1.990/PDV 6.023 (06/16/14) NW	2



Viewed from Exterior. Scale: 1/4" = 1'

Line-3	Master Tub Rough Opening: 57 3/4 X 74 3/4	Main Line Item Frame Size : 57 X 74 (Outside Casing Size: 66 5/8 X 79 11/16), Siteline EX Wood Double Hung, Auralast Pine, 2 Wide Primed Exterior, Primed Interior, 5 1/2" Flat Casing, Standard Sill Nosing, Extended Head Casing 1 Inch, Brilliant White Metal DripCap, 4 9/16 Jamb, White Jambliner, Oil Rubbed Bronze Hardware, US National-WDMA/ASTM, DP 35, Insulated Low-E Tempered Glass, Argon Filled, 7/8" Bead SDL w/Perm Wood Trad'l. Bead Int BAR, Primed Wood SDL, Light Bronze Shadow Bar, Colonial All Lite(s) 2 Wide 1 High Top 1 High Btm BetterVue Mesh Black Screen This mull configuration complies with AAMA 450 standards and is professional engineer-approved. PEV 2014.2.1.990/PDV 6.023 (06/16/14) NW	1
--------	--	---	---



Viewed from Exterior. Scale: 1/4" = 1'

Total Units: 5



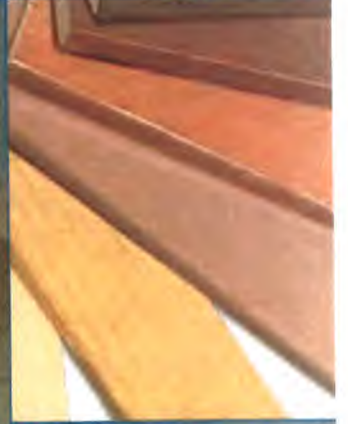
Protect yourself when you choose JELD-WEN® Auralast® pine products backed by a limited lifetime warranty against wood rot and termite damage.



Siteline EX

Wood Window & Patio Door Features

Awning | Bay & Bow | Casement | Double-Hung | Sliding |
Fixed, Radius & Geometric | Patio Doors



GLASS OPTIONS

Low-E and LoE³-366 and Insulating Glass

High-performance Low-E insulating glass comes standard and helps lower energy costs, allows homes to stay cooler in the summer and warmer in the winter, prevents fading of interior furnishings, and reduces condensation. It also delivers greater visible light transmittance than tinted glass. We also offer optional LoE³-366, which provides even more protection against heat loss and fading, as well as greater energy savings.

Most windows and patio doors with Low-E glass are ENERGY STAR[®] qualified. ENERGY STAR products help Americans save energy, save money and reduce their carbon footprints. ENERGY STAR criteria for windows are based on the U-factor and Solar Heat Gain Coefficient (SHGC) combinations that provide significant energy efficiency for a given climate zone. It's easy! Just tell your JELD-WEN dealer you want JELD-WEN windows that are ENERGY STAR qualified for your climate zone. For more information, visit www.jeld-wen.com/energyefficiency.

In cold weather, Low-E glass reduces the amount of heat lost by reflecting it back inside.



In warm weather, Low-E glass reflects the sun's energy and prevents it from entering the home.

ENERGY STAR[®]

Many JELD-WEN windows and doors are ENERGY STAR qualified. Homeowners can save energy—and money—by replacing old windows with ENERGY STAR qualified windows and pay a 7-15 percent lower household energy bill. Lower energy consumption also reduces greenhouse gas emissions from power plants and shrinks a house's carbon footprint. JELD-WEN has been an ENERGY STAR partner since 1998.



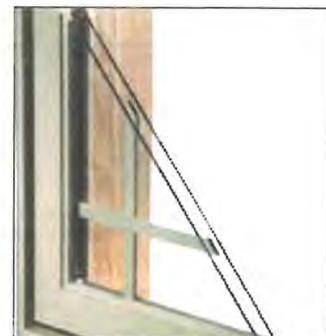
Divided Lites



Simulated Divided Lites (SDL)



Full-Surround (FS) and Knocked-Down (KD) Removable Wood Grilles (Available on direct set only)



Grilles Between the Glass (GBG)

Simulated Divided Lite Profiles



TEXTURED/TINTED GLASS & SCREENS

Phantom Screens® Technology



Fully retractable for a clear view



Integrated design creates a seamless look

This feature includes retractable insect screens that fully reveals the exterior view. These screens are designed to keep more insects outside, while letting more natural light inside. They feature fine, black fiberglass mesh with a light gloss finish. BetterVue™ insect screens are now standard for awning, casement, double-hung and sliding windows.

Screen Options*



View through regular fiberglass insect screen

View through BetterVue™ insect screen (standard)

View through optional UltraVue™ insect screen

Insect screens are intended to allow air and light in, while keeping insects out.

They are not intended to stop children from falling through an open door or window.

For safety screens and other security devices, contact your local building supply retailer.

*Please note: These images are for illustration purposes only. Actual screen may appear different.

Textured and Tinted Glass



Glue Chip



Rain



Obscure



Seedy Reamy



Narrow Reed



Gray Tinted



Bronze Tinted



Clear



Green Tinted

PRODUCT SPECIFICATIONS**EXTERIOR FINISH**

All exterior surfaces are covered with a factory-applied latex primer.

AURALAST® WOOD

AuraLast® wood is fundamentally different from wood resulting from traditional millwork preservation processes in that it uses a proprietary vacuum/pressure process to provide protection throughout the wood parts used to make windows and doors. AuraLast® wood is distinguished from wood using the current preservation methods by its unique ability to achieve greater penetration of the active ingredients into the wood parts, with a penetration of the treatment being a minimum of 92%.

INTERIOR FINISH

All interior surfaces are unfinished clear pine ready for on site finishing. Primed and pre-finished interiors are available in paint: Pure White, Extra White, Natural Choice, Moderate White; in stain: Wheat, Cherry, Fruitwood, Cordovan, Cider and Clear Lacquer.

FRAME

Frame is assembled from select kiln dried pine using AuraLast® wood on all exterior parts. Frame corner joints are tightly secured with metal fasteners and adhesive. Frame thickness is 1 1/16" (17.5mm) at head, side jamb and sill. Basic jamb width is 4-9/16" (116mm) and may be extended for different wall depths. Finished frame has exterior casing, sill nosing, weather-stripping, hardware, and interior stops applied.

SASH

Sash is 1-7/16" (36.5mm) thick select kiln-dried pine using AuraLast® wood. Stiles and rails are mortise and tenoned, machine clamped for squareness and secured with metal fasteners. The glass is mounted into the sash using a silicone-glazing compound on the exterior and acrylic sealant on the interior, then secured with interior applied profiled wood stops. Sash operate in a non-compression ivory colored jamb liner that allows both top and bottom sash to tilt inside for easy cleaning and removal without the use of tools. No finger plow sash available on venting units.

GLAZING

3/4" (19mm) thick sealed insulating glass is constructed from two panes of glass, utilizing a continuous roll formed stainless steel spacer with dual seal sealant. The glass is mounted into the sash using a silicone-glazing compound and secured with interior applied profiled wood stops. All insulating glass units comply with the performance requirements of IGCC in accordance with either ASTM E774 or E2190.

GLAZING OPTIONS

3/4" insulating glass available in Low-E with Argon, Low-E, Low-E 366, Clear, Neat Glass, reflective, tinted, or obscure, tempered or other specialty glass as specified. Preserve® film is a 0.003" thick polyethylene film with a low tack acrylic adhesive applied to the glass for protection during shipping and installation. 4,000 foot elevations and higher require a capillary tube to equalize environmental stress (otherwise known as High Altitude glazing). High Altitude glazing does not allow the use of Argon as listed under glazing options.

WEATHER-STRIPPING

Engineered system combines PVC ivory jamb liner with dual bulb weather-stripping at head. Checkrail features thermoplastic rubber bulb and recessed cam action sash lock for secure closure. Rigid vinyl water stops at sill provide additional restraint against weather.

HARDWARE

Sash operate by means of a dual block and tackle balance system with nylon roller pulleys and high-tension coil springs. Balance system gauged to sash weight and uses pre-stretched dacron cords attached to clutch mechanisms to insure smooth, operation and compliance with operating force requirements. Jamb liners are Ivory (White is optional). Recessed cam action sash lock is available in White, Chestnut Bronze, Desert Sand or optional Bright Brass, Antique Brass, Polished Brass, Brushed Chrome or Imitation Oil Rubbed Bronze. 28" glass width and larger units have two sash locks. Optional Lexan sash lift available for no finger plow sash.

EXTERIOR INSECT SCREENS

Charcoal fiberglass screen cloth (18x16 mesh) set in painted roll formed aluminum frame with color to match cladding - choice of Brilliant White, Chestnut Bronze, Desert Sand, French Vanilla, Hartford Green, Mesa Red, Black, Arctic Silver or Dark Chocolate, installed in channel on frame extrusion and held in place with spring loaded plungers at the top and sides of screen. Aluminum mesh and Phantom screen also available. Insect screens are intended to allow air and light in and to keep insects out. They are not intended to keep anyone or anything from falling through an open window. For safety screens or other security devices contact your local building supply retailer.

GRILLES

SDL (Simulated Divided Lites) - wood muntins permanently applied to the exterior of the insulating glass unit (not available on textured glass) in 7/8" (22mm), 1-1/8" (28.5mm), or 1-3/8" (34.9mm) widths, and a putty profile in 5/8" (15.9mm), 7/8" (22mm) and 1-1/8" (28.5mm) widths only. SDL is standard with a light bronze internal shadow bar to give a true divided lite appearance. As an option, SDL may be ordered with a silver shadow bar. Clear wood interior muntin bars match the exterior muntin width and are permanently bonded to the interior of the glass. Also available is a 2-5/16" (59mm) SDL bar, which simulates a double-hung checkrail.

Full Surround Wood Grilles - Rectangular unfinished clear pine wood grilles in 7/8" (22mm), 1-1/8" (28.6mm) and 1-3/8" (35mm) are available in patterns selected by the owner.

GBG (Grilles between the Glass) - 5/8" (15.9mm) flat and 23/32" or 1" contour mounted between the glass panes suspended within the air cavity.

EXTERIOR TRIM

1-3/32" (27.8mm) x 2" (50.8mm) brickmould with 1-1/16" (27mm) x 1-3/4" (44.5mm) nosing is standard. Flat casing is available as 1-3/32" (27.8mm) x 2" (50.8mm), 1-3/32" (27.8mm) x 3-1/2" (89mm), 1-3/32" (27.8mm) x 4-1/2" (114.3mm), and 1-3/32" (27.8mm) x 5-1/2" (139.7mm). The following profiled casings are available: RB-3 and Adams as 1-1/16" x 3-1/2" (89mm), and Williamsburg 1-3/16" x 3-1/4". Historical wood sill nosing 1-3/4" (44.5mm) and 2-13/16" (71.4mm) is also available.

Continued on next page

PRODUCT SPECIFICATIONS

EXTENSION JAMBS

Extension jambs are factory applied to the interior on all four sides of the frame and are 4/4 standard thick pine to accommodate wall depths up to 9-5/16" with one piece, and up to 12" with two pieces. 9/16" (14.2mm) option also available.

INSTALLATION

Installation per JELD-WEN Installation Method for Wood Windows J11003 or J11012. See www.jeld-wen.com/resources for instructions.

PERFORMANCE

NFRC Certified - (Rated and labeled in accordance with NFRC)

WDMA Hallmark Certified -
In accordance with **AAMA/NWDA/1011.S.2-97**

QUICK SPEC GUIDE

SPECIFICATION	STANDARD FEATURES	OPTIONAL FEATURES <i>Some options may require additional lead times. Consult your JELD-WEN Sales Representative.</i>
FRAME	<ul style="list-style-type: none"> Fingerjoint Wood 	
EXTERIOR FINISH	<ul style="list-style-type: none"> Primed 	<ul style="list-style-type: none"> Natural
EXTERIOR TRIM	<ul style="list-style-type: none"> 1-3/32" Brickmould Wood Sill Nose Drip Cap 	<ul style="list-style-type: none"> Flat Casing: 1-3/32" x 2", 3-1/2", 4-1/2", and 5-1/2" Heritage Casing: 1-3/16" x 3-1/4" Adams Casing: 1-1/16" x 3-1/2" RB3 Casing: 1-1/16" x 3-1/2" 1-7/32" x 4-1/2" Backband No Brickmould Option Historical Sill Nose Clad Metal Drip Cap (White only)
INTERIOR FINISH	<ul style="list-style-type: none"> Natural 	<ul style="list-style-type: none"> Priming Available <p>Pre-finished Interior Options are:</p> <ul style="list-style-type: none"> Paint - Pure White, Extra White, Natural Choice, Moderate White Stain - Wheat, Fruitwood, Cherry, Cordovan, Cider Clear Lacquer
SIZE	<ul style="list-style-type: none"> Width: Venting Double-Hung: 21-3/8, 25-3/8, 29-3/8, 31-3/8, 33-3/8, 37-3/8, 41-3/8, 45-3/8 Picture Double-Hung: 21-3/8, 25-3/8, 29-3/8, 31-3/8, 33-3/8, 37-3/8, 41-3/8, 45-3/8, 49-3/8, 53-3/8, 61-3/8, 69-3/8, 77-3/8 Height: Venting Double-Hung: 32, 36, 40, 44, 48, 52, 56, 60, 64, 68, 72, 76, 80, 88, 92 Picture Double-Hung: 15, 18, 24, 32, 36, 40, 44, 48, 52, 56, 60, 64, 68, 72, 76, 80, 88, 92 For RO, add 3/4" 	<ul style="list-style-type: none"> Width: Venting Double-Hung: Minimum: 16" Maximum: 45-3/8" Picture Double-Hung: Minimum: 16" Maximum: 77-3/8" Fixed Units over 49-3/8" wide can be up to 80" high Fixed Units up to 49-3/8" wide can be up to 92" high Height: Venting Double-Hung: Minimum: 28" Maximum: 92" * * glass can't exceed 42" high Picture Double-Hung: Minimum: 15" Maximum: 92" Fixed Units over 49-3/8" wide can be up to 80" high Fixed Units up to 49-3/8" wide can be up to 92" high For RO, add 3/4"
GLAZING	<ul style="list-style-type: none"> Low-E Insulating Glass Preserve® Protective Film 	<ul style="list-style-type: none"> Clear Obscure Bronze Low-E 366 High Altitude Neat Glass Dual Low-E Reflective Tempered

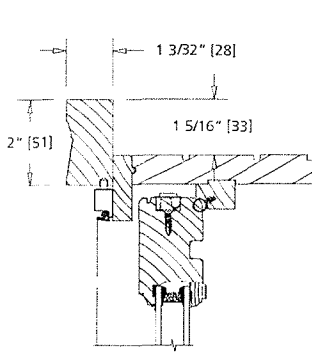
Continued on next page

QUICK SPEC GUIDE

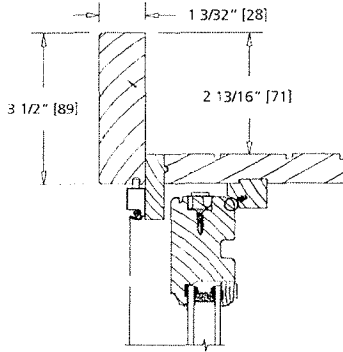
SPECIFICATION	STANDARD FEATURES	OPTIONAL FEATURES <i>Some options may require additional lead times. Consult your JELD-WEN Sales Representative.</i>
GRILLES		<ul style="list-style-type: none"> • 5/8" Flat, 23/32" or 1" Contour GBG • 7/8", 1-1/8", 1-3/8" Full Surround Wood Grilles SDL Bead Profile: <ul style="list-style-type: none"> • 7/8", 1-1/8", 1-3/8", 2-5/16" with Light Bronze Shadow Bar • 7/8", 1-1/8", 1-3/8", 2-5/16" with Silver Shadow Bar SDL Putty Profile: <ul style="list-style-type: none"> • 5/8", 7/8", 1-1/8" with Light Bronze Shadow Bar • 5/8", 7/8", 1-1/8" with Silver Shadow Bar
HARDWARE	<ul style="list-style-type: none"> • Balance: Dual Block and Tackle • Cam Locks • Ivory Jamb Liners (standard) 	<ul style="list-style-type: none"> • White
HARDWARE COLOR	<ul style="list-style-type: none"> • White • Desert Sand • Chestnut Bronze 	<ul style="list-style-type: none"> <li style="width: 50%;">• Antique Brass <li style="width: 50%;">• Brushed Chrome <li style="width: 50%;">• Polished Brass <li style="width: 50%;">• Oil Rubbed Bronze
JAMB	<ul style="list-style-type: none"> • 4-9/16" 	<ul style="list-style-type: none"> • Minimum: 4-9/16" • Maximum: 9-5/16" (one piece) • Maximum: 12" (two piece)
SCREENS	<ul style="list-style-type: none"> • BetterVue™ 	<ul style="list-style-type: none"> • Aluminum Mesh available • Phantom Screen - Limitations apply, factory-applied • UltraVue™
SCREEN FRAME COLOR	<ul style="list-style-type: none"> <li style="width: 50%;">• Brilliant White <li style="width: 50%;">• Hartford Green <li style="width: 50%;">• Chestnut Bronze <li style="width: 50%;">• Black <li style="width: 50%;">• Desert Sand <li style="width: 50%;">• Arctic Silver <li style="width: 50%;">• French Vanilla <li style="width: 50%;">• Dark Chocolate <li style="width: 50%;">• Mesa Red 	<ul style="list-style-type: none"> <li style="width: 50%;">• Bronze <li style="width: 50%;">• Hunter Green <li style="width: 50%;">• Heirloom White <li style="width: 50%;">• Sage Brown <li style="width: 50%;">• Bone White <li style="width: 50%;">• Redwood <li style="width: 50%;">• Dark Buckskin <li style="width: 50%;">• Sea Foam <li style="width: 50%;">• Smoke <li style="width: 50%;">• Ivory <li style="width: 50%;">• Mocha Cream <li style="width: 50%;">• Cascade

**TRIM & SILL OPTIONS
DOUBLE-HUNG**

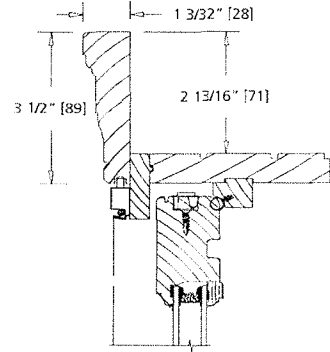
EXTERIOR TRIM



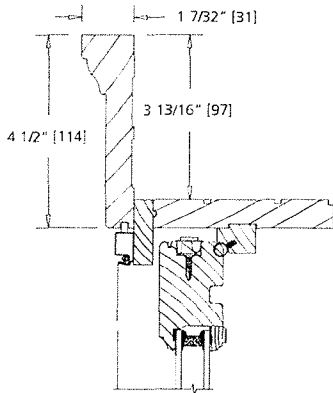
BRICKMOULD



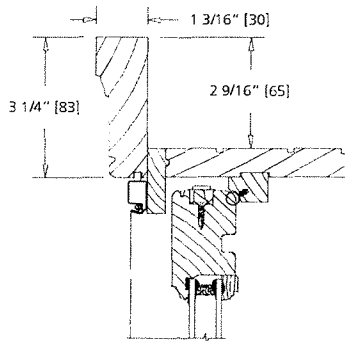
FLAT CASING



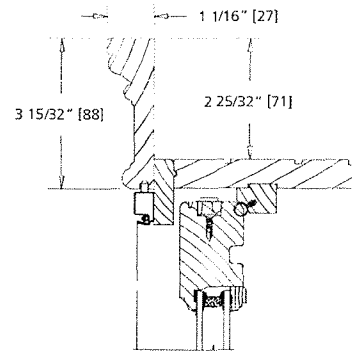
ADAMS CASING



1 X 4 BACKBAND

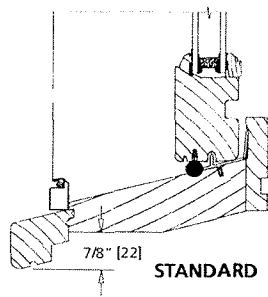


WILLIAMSBURG

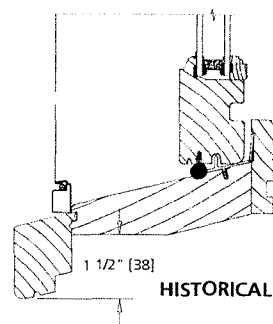


RB 3 CASING

SILL OPTIONS



STANDARD



HISTORICAL

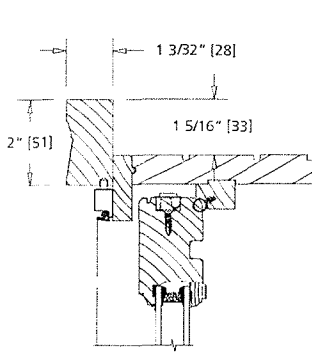
SCALE: 3" = 1'

QUICK SPEC GUIDE

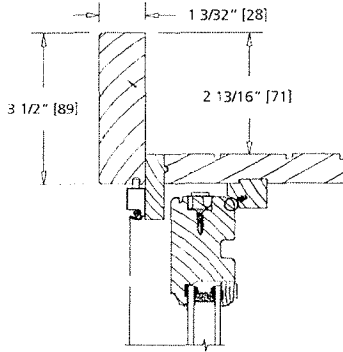
SPECIFICATION	STANDARD FEATURES	OPTIONAL FEATURES <i>Some options may require additional lead times. Consult your JELD-WEN Sales Representative.</i>
GRILLES		<ul style="list-style-type: none"> • 5/8" Flat, 23/32" or 1" Contour GBG • 7/8", 1-1/8", 1-3/8" Full Surround Wood Grilles SDL Bead Profile: <ul style="list-style-type: none"> • 7/8", 1-1/8", 1-3/8", 2-5/16" with Light Bronze Shadow Bar • 7/8", 1-1/8", 1-3/8", 2-5/16" with Silver Shadow Bar SDL Putty Profile: <ul style="list-style-type: none"> • 5/8", 7/8", 1-1/8" with Light Bronze Shadow Bar • 5/8", 7/8", 1-1/8" with Silver Shadow Bar
HARDWARE	<ul style="list-style-type: none"> • Balance: Dual Block and Tackle • Cam Locks • Ivory Jamb Liners (standard) 	<ul style="list-style-type: none"> • White
HARDWARE COLOR	<ul style="list-style-type: none"> • White • Desert Sand • Chestnut Bronze 	<ul style="list-style-type: none"> • Antique Brass • Polished Brass <ul style="list-style-type: none"> • Brushed Chrome • Oil Rubbed Bronze
JAMB	<ul style="list-style-type: none"> • 4-9/16" 	<ul style="list-style-type: none"> • Minimum: 4-9/16" • Maximum: 9-5/16" (one piece) • Maximum: 12" (two piece)
SCREENS	<ul style="list-style-type: none"> • BetterVue™ 	<ul style="list-style-type: none"> • Aluminum Mesh available • Phantom Screen - Limitations apply, factory-applied • UltraVue™
SCREEN FRAME COLOR	<ul style="list-style-type: none"> • Brilliant White • Chestnut Bronze • Desert Sand • French Vanilla • Mesa Red <ul style="list-style-type: none"> • Hartford Green • Black • Arctic Silver • Dark Chocolate 	<ul style="list-style-type: none"> • Bronze • Heirloom White • Bone White • Dark Buckskin • Smoke • Mocha Cream <ul style="list-style-type: none"> • Hunter Green • Sage Brown • Redwood • Sea Foam • Ivory • Cascade

**TRIM & SILL OPTIONS
DOUBLE-HUNG**

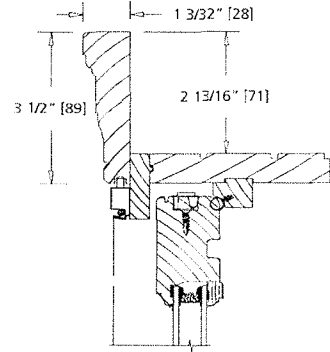
EXTERIOR TRIM



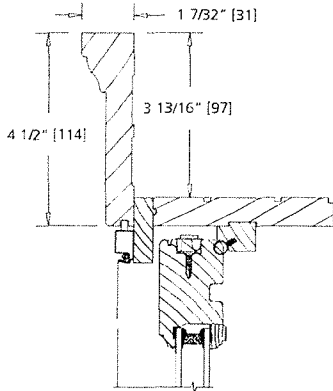
BRICKMOULD



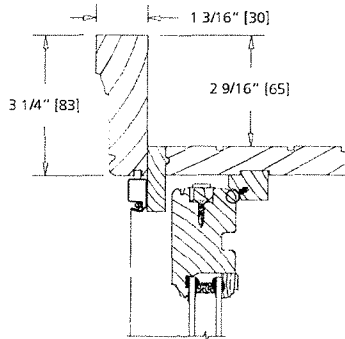
FLAT CASING



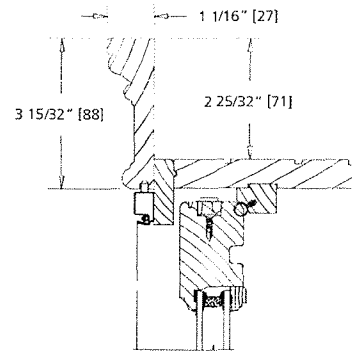
ADAMS CASING



1 X 4 BACKBAND

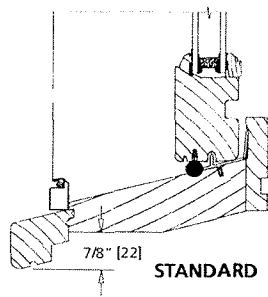


WILLIAMSBURG

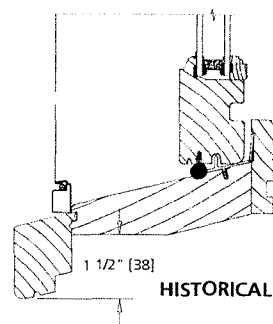


RB 3 CASING

SILL OPTIONS



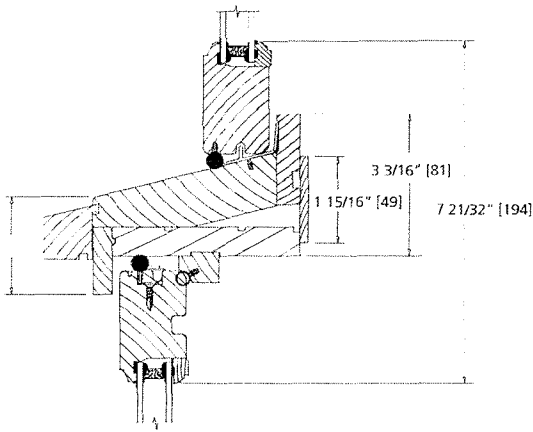
STANDARD



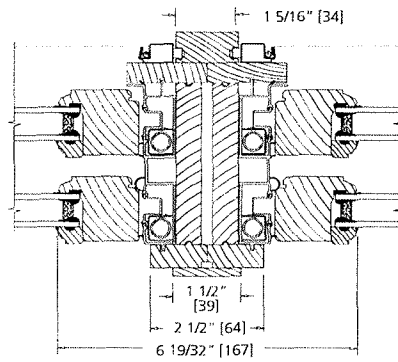
HISTORICAL

SCALE: 3" = 1'

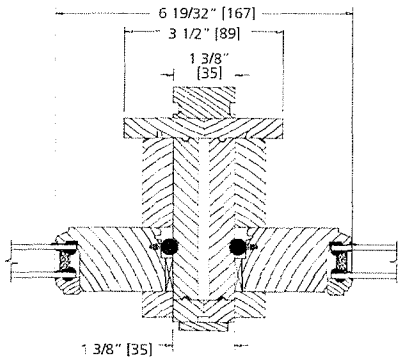
STANDARD MULLION OPTIONS



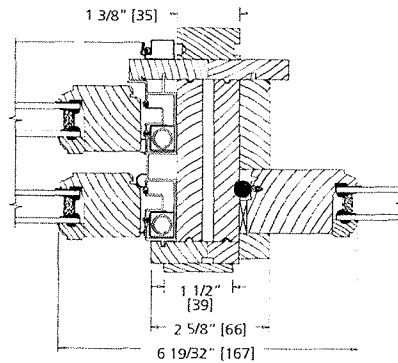
**OPERATING DOUBLE-HUNG
WITH FIXED TRANSOM**



TWIN OPERATING DOUBLE-HUNG

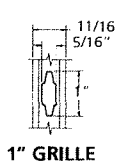
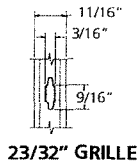
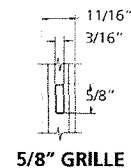
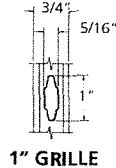
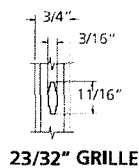
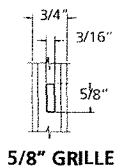
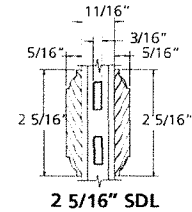
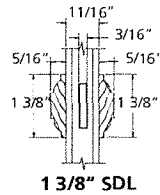
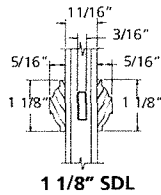
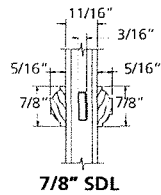
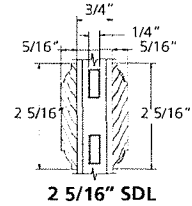
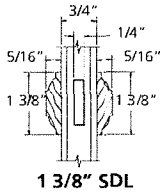
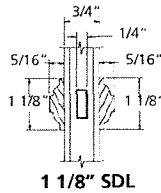
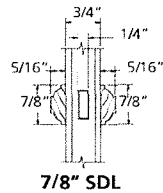


**DOUBLE-HUNG PICTURE
WITH DOUBLE-HUNG PICTURE**



**TWIN OPERATING DOUBLE-HUNG
WITH PICTURE FLANKERS**

DIVIDED LITE OPTIONS



GRILLES MEETING
NFRC 3mm RULE

GRILLE PROFILES:

3/16" x 5/8"	ALLMETAL 1021101018XX140
3/16" x 1"	ALLMETAL 1020101018XX164
1/4" x 5/8"	ALLMETAL 1020102018XX140
1/4" x 1"	ALLMETAL 1020102018XX164
5.5mm x 18mm CONTOUR	ALLMETAL 1020301010XX255
8mm x 25mm CONTOUR	ALLMETAL 1020301018XX380

Note: All glass and airspace dimensions per current cardinal glass specs. Lites with shapes, angles or radii outside the Liseac Bender capabilities for stainless steel warm edge spacer will have aluminum box spacer with the same airspace dimension shown here.

SCALE 3" = 1'